



High Pressure Globe Valves with non turning rising stem [VHP-NTRS]

DN 10 ÷ DN 65
PN 250 ÷ PN 500

Design

- Closed-Die-Forged body
- Pressure seal design
- Non turning rising stem (NTRS), outside screw and yoke (OS&Y)
- Integral or hard faced seats

Applications

- Power plant, Chemical, Petrochemical, Refining and other

Media

- Depending on the valve materials: water, steam, gas, oil and oil derivatives and other non aggressive media

Pressure and temperature

(table A.14.7)

- Pressures up to 500 bar
- Temperatures up to 600 °C

Materials (table A.14.1)

- Carbon and heat resistant alloy steels

Advantages

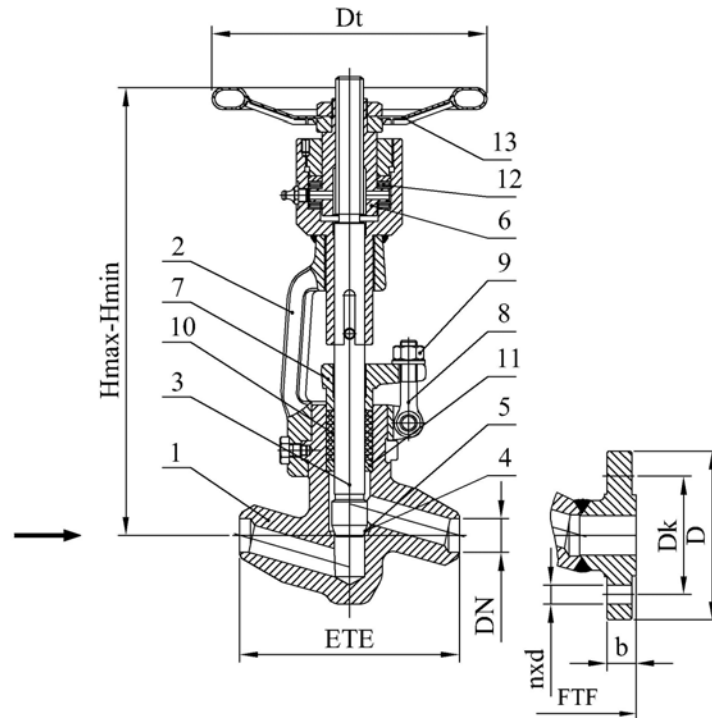
- Long service life
- Respect to emission standards
- Easy handling and maintenance

Options

- Electric, hydraulic or pneumatic actuator
- Y-Type (VHPY-NTRS)
- Angle type (VHPA-NTRS)
- Position indicator
- Extended stem
- Spring loaded stuffing box (SLSB)
- Locking device
- Tandem Valves
- Flanges and welding ends according to : ASME, GOST, DIN, etc.
- Control valve (VHPR-NTRS)
- Control valve with three or two-stage desing or with anti-cavitation cage
- Other paint finishes are available upon customer's request
- Valve complete with counter flanges, bolting and gaskets

Testing

- Every produced valve is tested according to EN 12266



Drawing A.14.1 Parts and dimensions

List of materials

Table A.14.1

Item	Parts	Material Group acc. to EN 12516-1				
		3E0	4E0	5E0	6E0	9E1
		Application				
		up to 400°C	up to 530°C	up to 550°C	up to 600°C	up to 600°C
1	Body ⁽¹⁾	1.0460	1.5415	1.7335	1.7383	1.4903
2	Yoke	1.0460 / 1.0619		1.7335 / 1.7357		
3	Stem-disc	1.4021 / 1.4122				
4	Body Seat	Hard faced 13Cr or Stellite				
5	Disc Seat	Hard faced 13Cr or Stellite				
6	Stem nut	1.0715 / Cu-Alloy				
7	Gland	1.0460				
8	Gland bolts	1.1181				
9	Gland nuts	A194 2H				
10	Stem Packing	graphite with corrosion inhibitor				
11	Guide Ring	1.4021 / 1.4122				
12	Needle bearings	steel				
13	Handwheel	coated steel				

⁽¹⁾other materials available according to EN standard, GOST standard, ASTM specifications

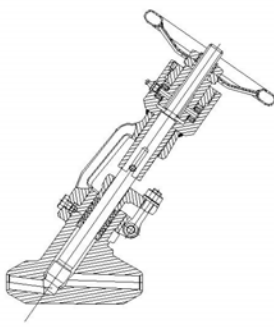
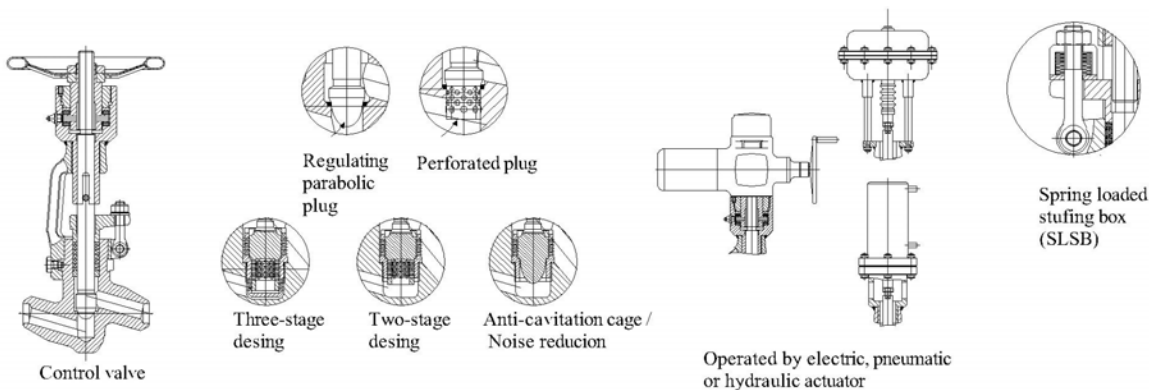
Standards

Table A.14.2

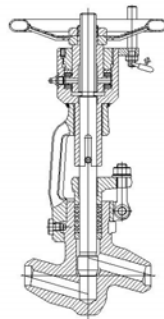
High Pressure Globe Valves	PN 250 ÷ PN 500
End-to-End and Face-to-Face dimensions according to	Manufacturer standard
Flanged ends according to ⁽²⁾	EN 1092-1
Welding ends according to ⁽²⁾	EN 12627

⁽²⁾dimensions according to another standard available (ASME, DIN, GOST ...)

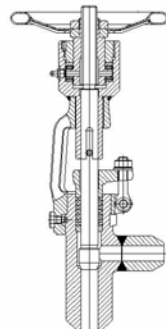
Optional execution



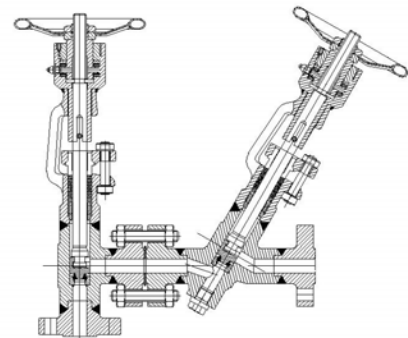
Y-Type (VHPY-NTRS)



Locking device



Angle Type (VHPA-NTRS)



Tandem valves